

REMOVABLE CAP
TO TIGHTEN SCREW
(REPLACE WHEN COMPLETE)

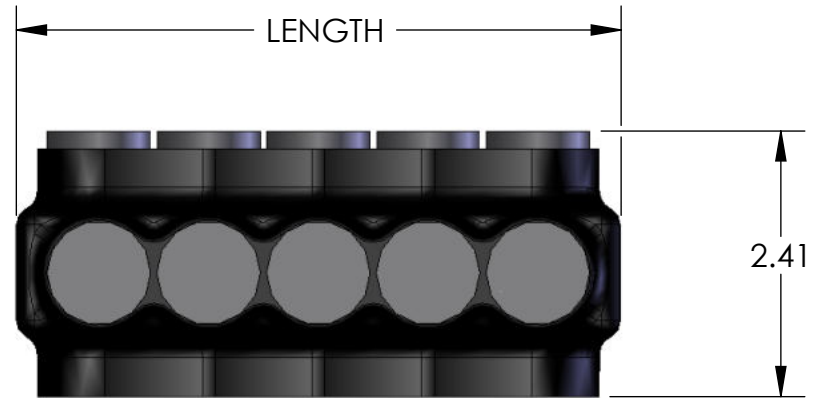
REMOVABLE CAP
FOR DUAL ENTRY
(INSERT IN OTHER SIDE)



WIRE ENTRY POINT
WIRE RANGE: 350MCM - #6AWG
PRE-FILLED W/ OXIDE INHIBITOR

IPLD350-5 SHOWN

PART NUMBER	NO. OF PORTS	LENGTH
IPLD350-3	3	3.52
IPLD350-4	4	4.57
IPLD350-5	5	5.62
IPLD350-6	6	6.67
IPLD350-8	8	8.77



LENGTH

2.41



5/16 INTERNAL HEX PRESSURE SCREW

2.61

CONTACT NSI FOR SALES @ 800.321.5847



POLARIS
SALES CO. INC

PROPRIETARY AND CONFIDENTIAL

11625 PROSPEROUS DRIVE ODESSA, FL 33556

THE INFORMATION CONTAINED IN THIS DRAWING IS THE SOLE PROPERTY OF POLARIS SALES CO. INC. ANY REPRODUCTION IN PART OR AS A WHOLE WITHOUT THE WRITTEN PERMISSION OF POLARIS SALES CO. INC. IS PROHIBITED.

TITLE:

INSULATED DUAL ENTRY
350 CONNECTOR

NAME DATE
DRAWN BY L. HILL 8-6-09

DWG. NO.

IPLD350-SERIES

MATERIAL: N/A

SCALE: 1:2

SHEET: 1 OF 1

NOTES:

- CONNECTOR MANUFACTURED FROM 6061-T6 ALUMINUM ALLOY.
- UL LISTED PER UL486A/B SPECIFICATIONS FOR 600V.
- DUAL RATED FOR 90°C COPPER AND/OR ALUMINUM CONDUCTOR.
- COLD TEMPERATURE RATED TO -45°C.
- HIGH DIELECTRIC STRENGTH INSULATION IS ABRASION, CHEMICAL AND UV RESISTANT.